

K-PATENTS
PROCESS INSTRUMENTS

Drawing description

DIM
PR-21-S-LPL
DIN, JIS and ANSI 3" 150lbs or 300lbs flanges

General tolerances
ISO2768-fK

Mass
12.64 kg

Drawing number

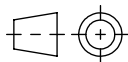
2860

Revision

B

Scale

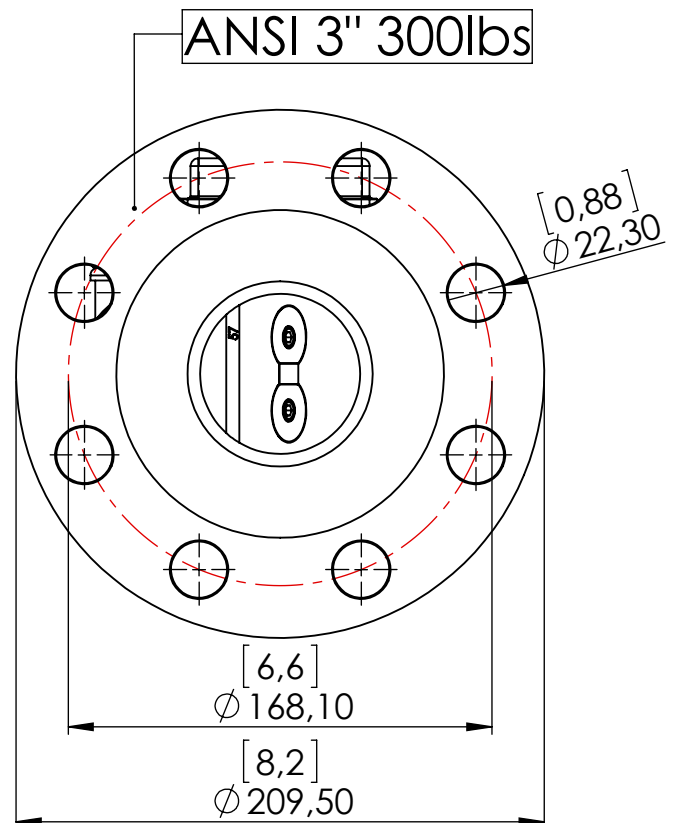
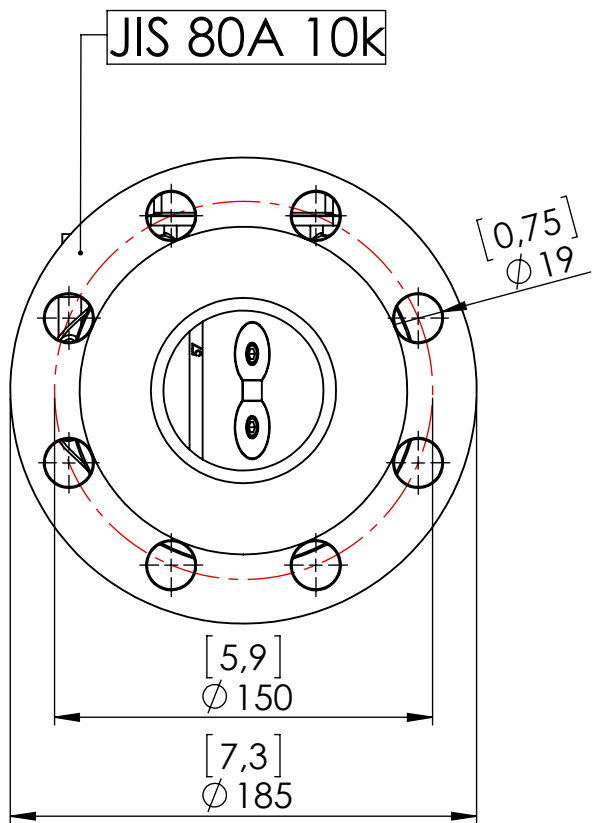
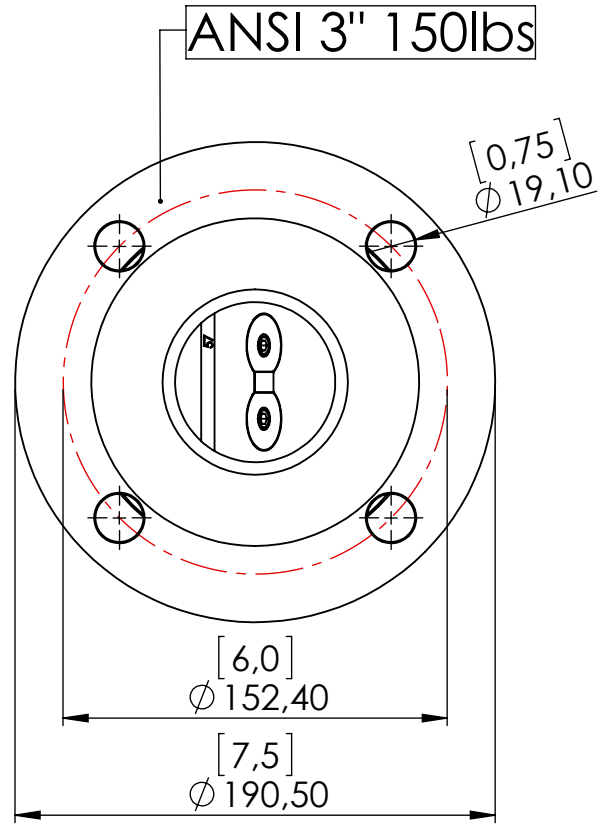
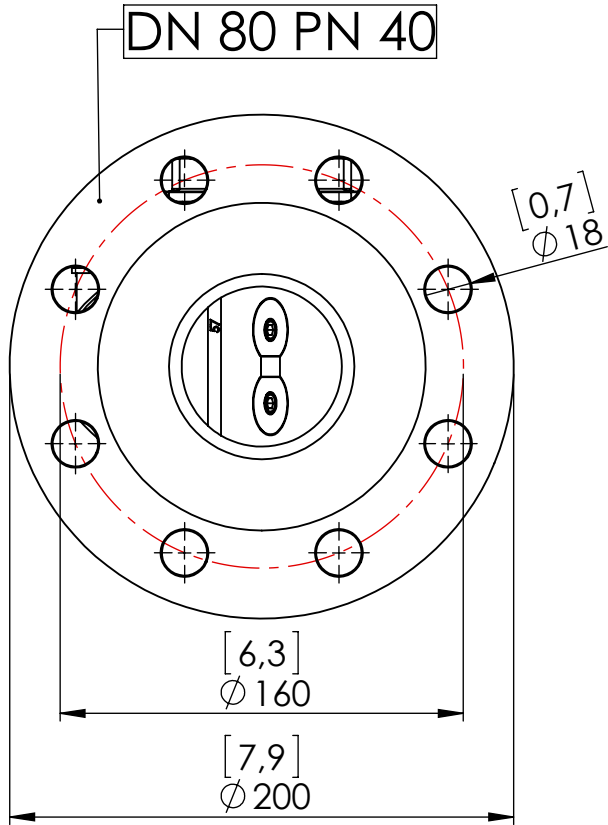
1:3



Material

Drawn 16.08.2013 IA

Appr. 20.08.2013 TL



K-PATENTS
PROCESS INSTRUMENTS

Drawing description

DIM
PR-21-S-LPL
DIN, JIS and ANSI 3" 150lbs or 300lbs flanges

General tolerances
ISO2768-fK

Mass
12.64 kg

Drawing number

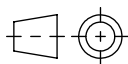
2860

Revision

B

Scale

1:3



Material

Drawn 16.08.2013 IA

Appr. 20.08.2013 TL